

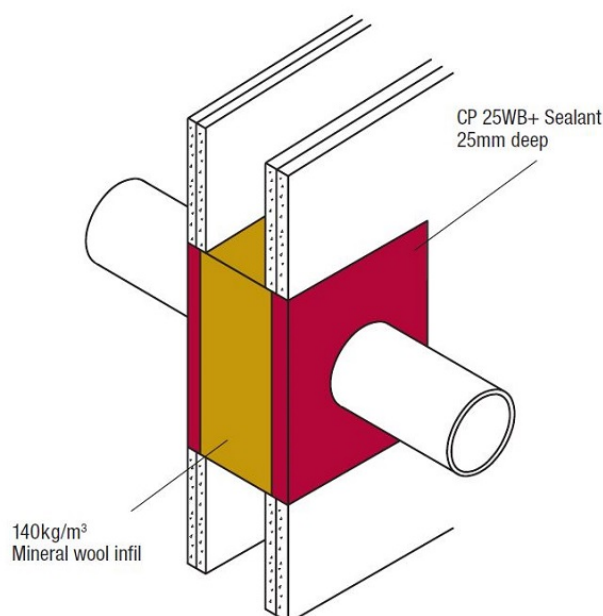
## 3M™ Fire Protection

### Design Specification Sheet : 3M CP 25WB+ Sealant for Metal Pipes

Through Penetration	Construction Type	FRR	Compliance Report
Steel pipes up to 114mm diam Copper & Ferrous pipes up to 15mm diam	Plasterboard wall 150mm thick with min 26mm fireboard each side. Wall cavity insulation optional.	-/120/30 or -/120/120 with E-5A Mat	AS 1530.4 & AS 4072.1 Exova RIR 23263-01 System/FPA Register ID# FC350

## 3M™ CP 25WB+ Sealant and 3M™ E-5A Mat Fire Stopping System

### Steel, Copper, Ferrous Pipes in Plasterboard Walls



### Installation

1. Position 100mm mineral wool infill (e.g. 3M PM4) leaving minimum 25mm for sealant.
2. 3M™ CP 25WB+ Sealant to a depth of 25mm each side of wall. Separation between penetrations 40mm.
3. 3M™ E-5A Intumescent Mat may be wrapped around pipes for 600mm each side to increase thermal rating to 120mins. Wire the E-5A Mat 50mm from each end and one at centre point.
4. Walls with less than 26mm of plasterboard may be patched. Follow GIB guidelines (75mm min from seal edge)

**3M Australia Pty Ltd**  
**Industrial Adhesives & Tapes Division**  
 Bldg A, 1 Rivett Road,  
 North Ryde, NSW 2113  
 Phone 136 136 (Option 2)  
 Email 3mindustriaucs@mmm.com  
 Web www.3m.com.au

**3M New Zealand Ltd**  
**Industrial Adhesives and Tapes Division**  
 94 Apollo Drive, Rosedale  
 Auckland 0632  
 Phone 0800 474 787  
 Email 3mnzibt@mmm.com  
 Web www.3m.co.nz

User is responsible for determining whether the 3M product is fit for a particular purpose and suitable for user's application. Limitation of Liability. Except where prohibited by law, 3M will not be liable for any loss or damage arising from this 3M product, whether direct, indirect, special, incidental or consequential, regardless of the legal theory asserted, including warranty, contract, negligence or strict liability. 3M and Interam are a trademark of 3M Company.